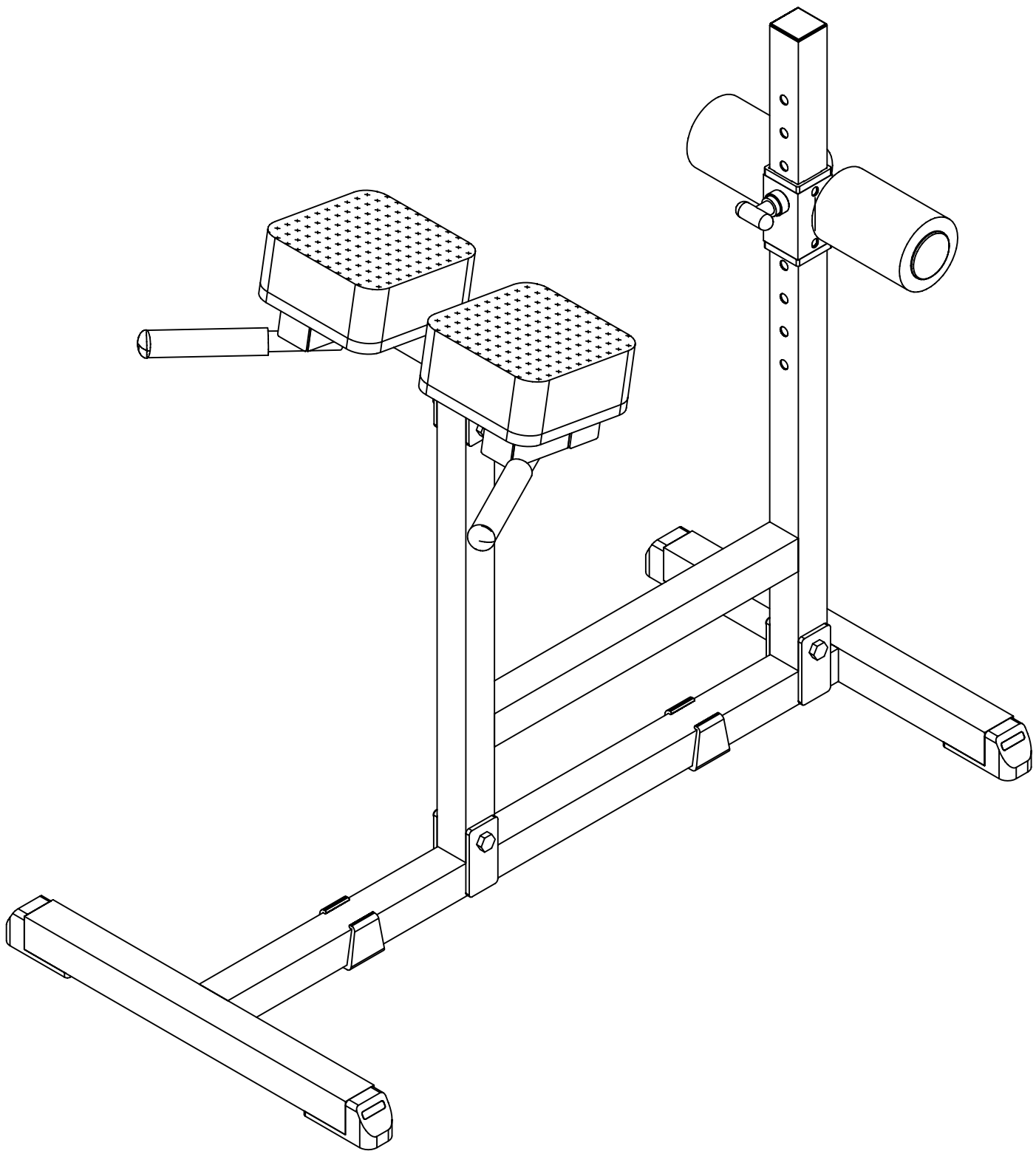


RCH-22.3

Roman Chair / Back Hyperextension

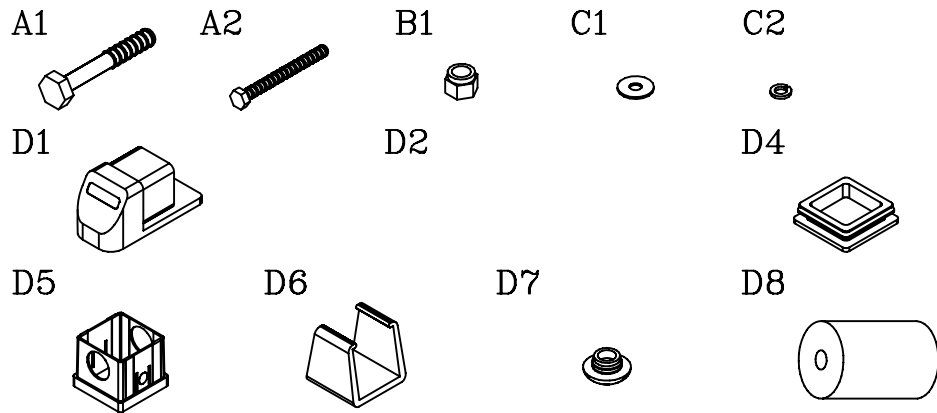


VERSION 0510

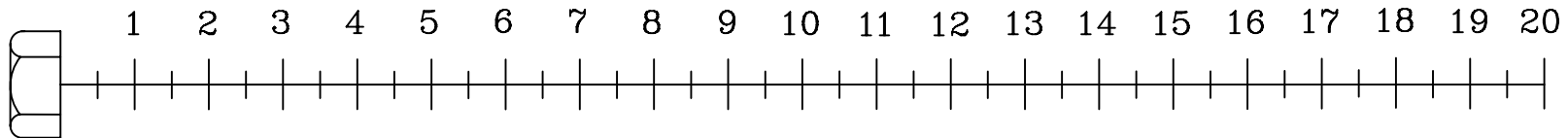
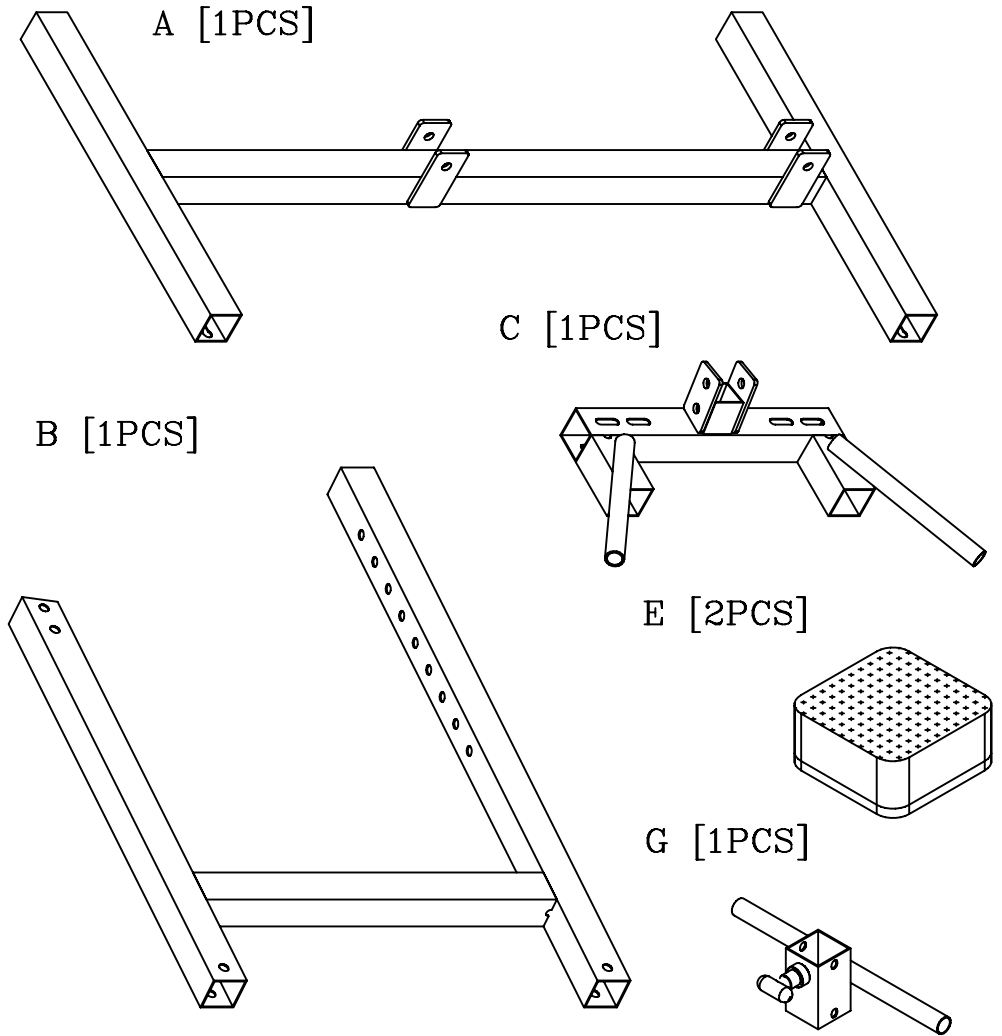
# RCH-22.3

## HARDWARE ILLUSTRATION SHEET

	Qty.
A1. M12X80 HEX HEAD BOLT -----	[4PCS]
A2. 5/16"X3" HEX HEAD BOLT -----	[4PCS]
B1. M12 NYLON LOCK NUT -----	[4PCS]
C1. 5/16" (I.D) WASHER -----	[4PCS]
C2. 5/16" SPRING WASHER -----	[4PCS]
D1. 2"X2" FOOT CAP (9211-024) -----	[4PCS]
D2. $\phi$ 1" ROUND END CAP (9211-022) -----	[2PCS]
D4. 2"X2" END CAP (9211-005) -----	[5PCS]
D5. 50X60mm NYLON BUSHING (9211-033) -----	[2PCS]
D6. 2"X2" RUBBER DOUNT (9212-010) -----	[2PCS]
D7. $\phi$ 1" ROUND END CAP (9260-021) -----	[2PCS]
D8. $\phi$ 4"X6" FOAM ROLLER (9161-008) -----	[2PCS]



## PARTS ILLUSTRATION SHEET



# RCH-22.3

